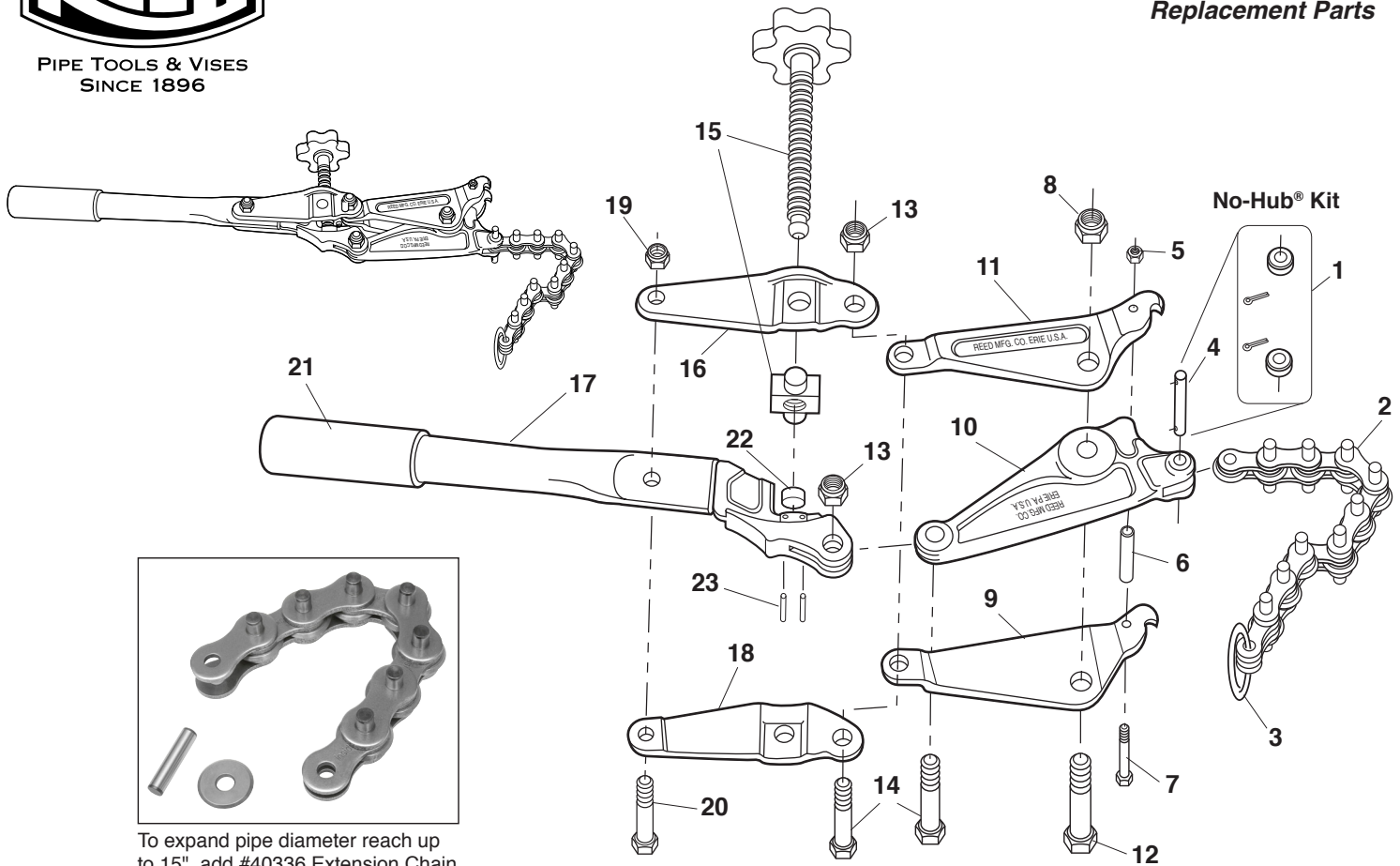




PIPE TOOLS & VISES  
SINCE 1896

# Soil Pipe Cutters (SC49 All Models)

## Replacement Parts



To expand pipe diameter reach up to 15", add #40336 Extension Chain.

## Parts List

Ref. No.	Description	SC49-6 08049		SC49-8 08050		SC49-10 08051		SC49-12 08052		SC49-15 08053	
		Item Code	Qty.	Item Code	Qty.	Item Code	Qty.	Item Code	Qty.	Item Code	Qty.
1	No-Hub® Kit	08034	1	08034	1	08034	1	08034	1	08034	1
2	Chain	40202	1	98101	1	98102	1	98103	1	98104	1
3	Chain Ring	40010	1	40010	1	40010	1	40010	1	40010	1
4	Roller Pin	98036	1	98036	1	98036	1	98036	1	98036	1
5	1/4" Nylock Nut	30108	1	30108	1	30108	1	30108	1	30108	1
6	Spacer	30110	1	30110	1	30110	1	30110	1	30110	1
7	1/4" Cap Screw	30109	1	30109	1	30109	1	30109	1	30109	1
8	5/8" Nylock Nut	30111	1	30111	1	30111	1	30111	1	30111	1
9	Left Chain Jaw	98014	1	98014	1	98014	1	98014	1	98014	1
10	Male Chain Jaw	98016	1	98016	1	98016	1	98016	1	98016	1
11	Right Chain Jaw	98015	1	98015	1	98015	1	98015	1	98015	1
12	Jaw Bolt	98026	1	98026	1	98026	1	98026	1	98026	1
13	9/16" Nylock Nut	30112	2	30112	2	30112	2	30112	2	30112	2
14	9/16" Handle Bolt	98028	2	98028	2	98028	2	98028	2	98028	2
15	Pressure Screw Assembly	98046	1	98046	1	98046	1	98046	1	98046	1
16	Left Connector Plate	98017	1	98017	1	98017	1	98017	1	98017	1
17	Handle Assembly	98025	1	98025	1	98025	1	98025	1	98025	1
18	Right Connector Plate	98018	1	98018	1	98018	1	98018	1	98018	1
19	7/16" Nylock Nut	30195	1	30195	1	30195	1	30195	1	30195	1
20	7/16" Pivot Bolt	30053	1	30053	1	30053	1	30053	1	30053	1
21	Handle Grip	40209	1	40209	1	40209	1	40209	1	40209	1
22	Thrust Cap	98060	1	98060	1	98060	1	98060	1	98060	1
23	Roll Pin*	30043	2	30043	2	30043	2	30043	2	30043	2
24	1/2" Ratchet Wrench (not shown)	40208	1	40208	1	40208	1	40208	1	40208	1

\* Units manufactured prior to 2003 need: 98019 Handle, 30105 Bolt, 98081 Screw and a 98080 Thrust Cap instead.

Reed Manufacturing Company  
1425 West 8th Street  
Erie, PA 16502 USA



Phone: 800-666-3691 or 814-452-3691  
Fax: 800-456-1697 or 814-455-1697  
www.reedmfgco.com

RP-1017-05